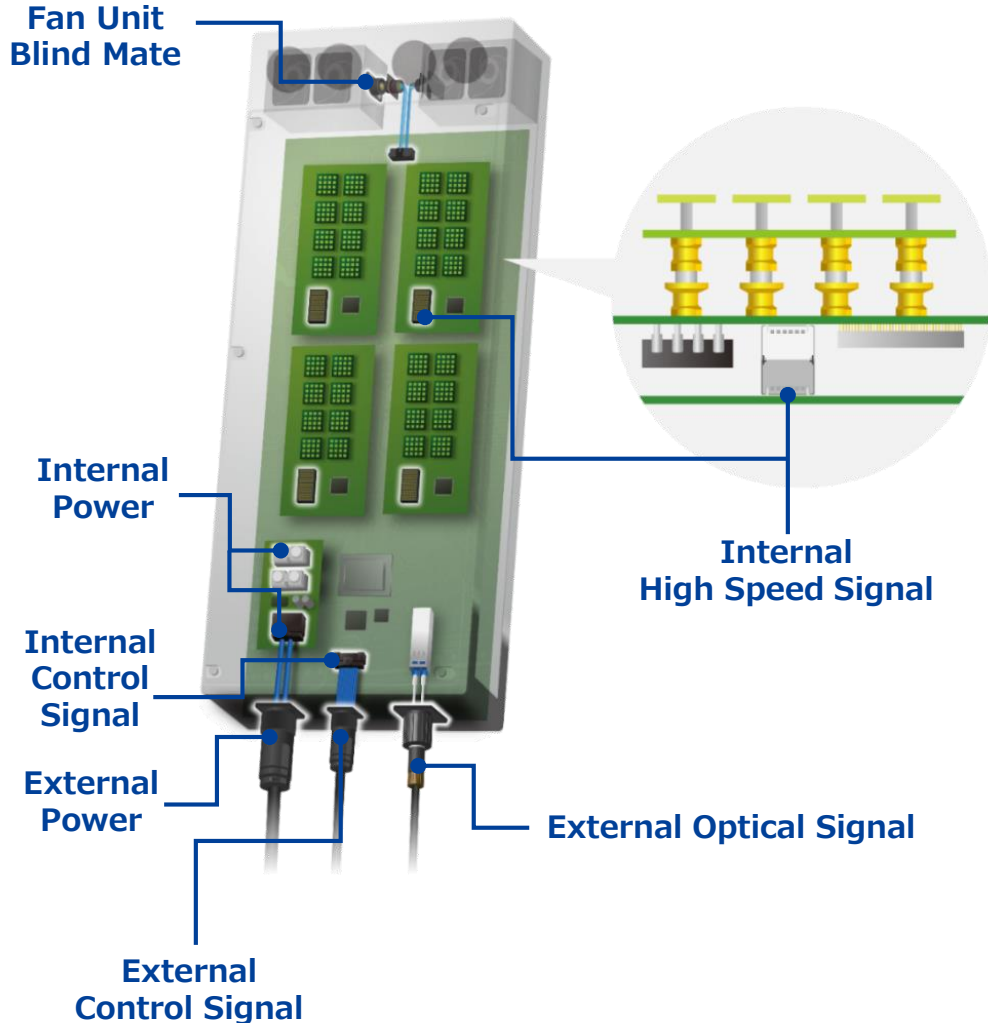


Connectors for 5G Base Stations



Fan Unit Blind Mate

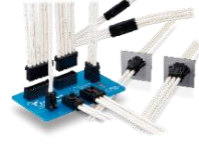


HR34P
 IPX7, IPX8 Waterproof
 Rated Current: 3A
 No. of Pos.: 10
 AWG: 20-25

Internal Power



DF60
 Rated Current: 65A Max.
 Pitch: 10.16mm
 No. of Pos.: 1-6
 AWG: 8-12

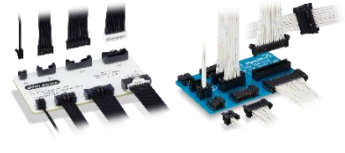


DF63
 Rated Current: 15A Max.
 Pitch: 3.96mm
 No. of Pos.: 1-6
 AWG: 16-22



IT-P
 Rated Current: 60A Max.
 No. of Pos.: 2
 Stacking Height: 21-44mm

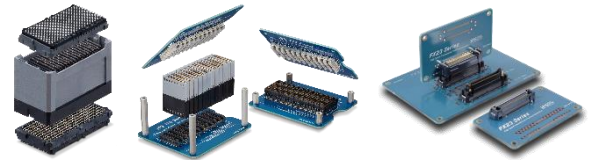
Internal Control Signal



DF50
 Rated Current: 1A
 Pitch: 1.0mm
 No. of Pos.: 2-50
 AWG: 26-32

DF51
 Rated Current: 3A Max.
 Pitch: 2.0mm
 No. of Pos.: 2-30
 AWG: 22-30

Internal High Speed Signal



IT5
 25+Gbps High Speed
 No. of Pos.: 100, 200, 300
 Stacking Height: 14-40mm

IT8
 56+Gbps High Speed (3 Piece)
 No. of Pos.: 120, 192, 288
 Stacking Height: 10-46mm

FX23
 8+Gbps High Speed
 Pitch: 0.5mm
 No. of Pos.: 2-120
 Stacking Height: 15-30mm

External Power



JR-W
 IP67, IP68 Waterproof
 Screwing
 Anti-corrosion

External Control Signal



LF
 IP67, IP68 Waterproof
 Compact, Rugged,
 Bayonet Lock
 Metal Shell, Black Chrome Plating

External Optical Signal



SW20
 Bayonet Lock, IP67 Waterproof
 Built-in Standard
 Optical Connectors (SC/LC)
 Metal Shell, Black Chrome Plating